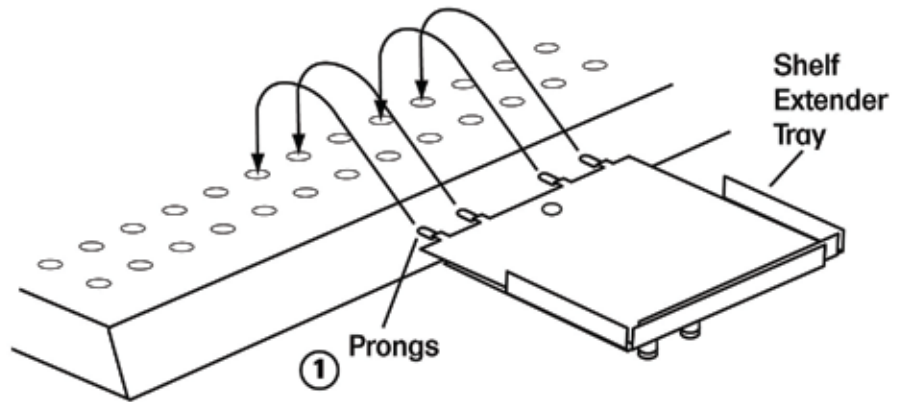


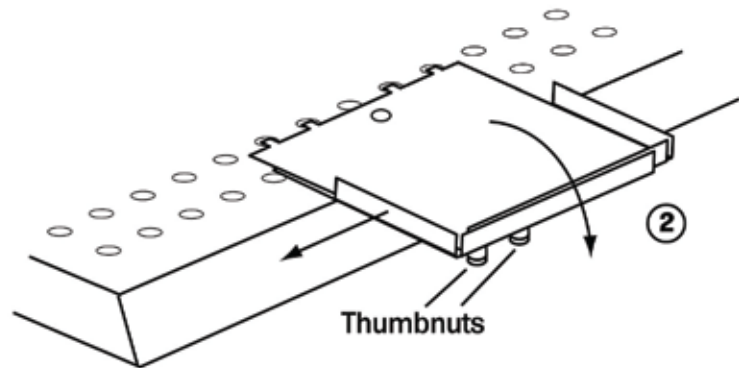
- ① Gently push back current product on shelf towards the back of the shelf to reveal two rows of shelf holes.

Rotate Shelf Extender Tray and insert prongs into second row of holes on shelf.

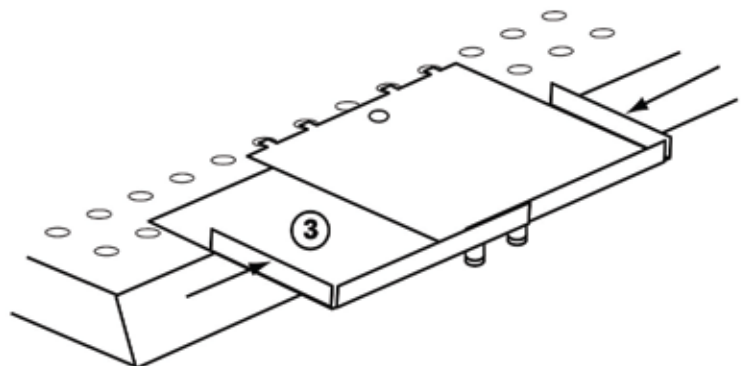


- ② Pivot tray downward to secure tabs in shelf, so that tray aligns with shelf.

Slightly loosen thumbnuts on tray and extend left side of tray until it is fully open.



- ③ Place product on tray, "push" tray sides to rest against left end and right end of product. Tighten thumbnuts.



20190522